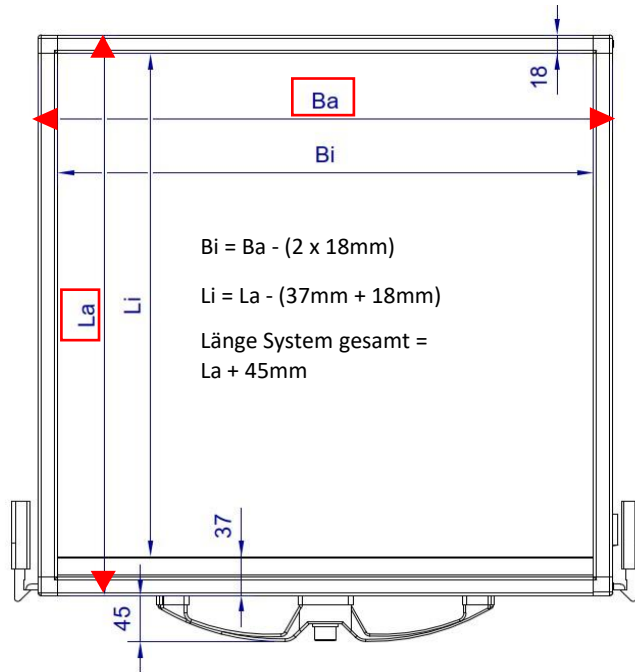




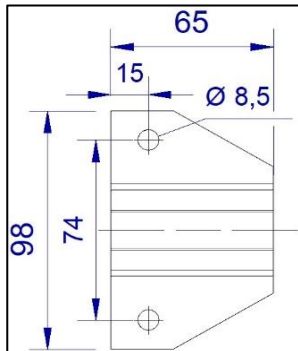
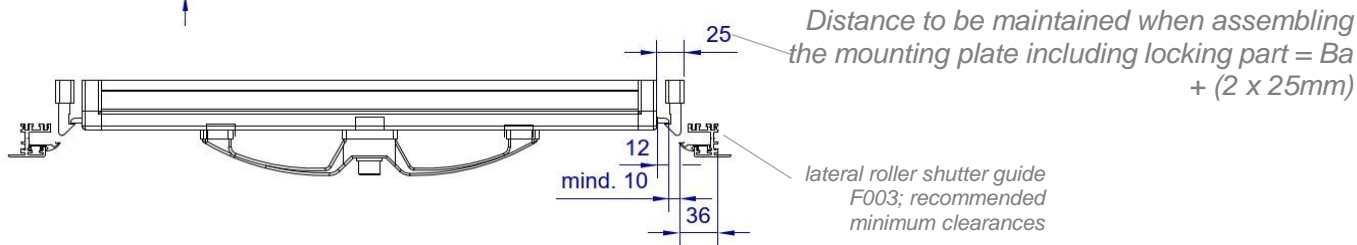
# LDR - drawer (without tilt function) configurator

The scope of delivery includes the drawer as well as the mounting plate including the locking part for the locking mechanism. **The system is not ready for operation upon delivery!**

Pull-out rails and assembly material to be able to mount pull-outs on the drawer are **not included** in the scope of delivery and must be provided by yourself!

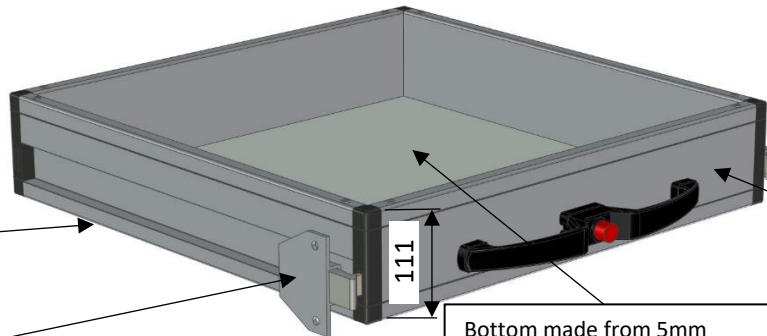


*Dimensions Ba and La always specify, if necessary by specify the sketch*



rounded corners and edges

massive mounting plate (steel, galvanized) for the front bearing



Bottom made from 5mm aluminum composite board

Front and side profiles made of anodized aluminum, Profile height 111mm, usable inner height of the drawer 104mm

Date:		
Preferred Date:		
Customer:		
Commission:		
Inquiry:	<input type="checkbox"/>	Please specify the number and dimensions of your desired drawers in millimeters (mm)!
Purchase Order:	<input type="checkbox"/>	
		Drawer 1
		Drawer 2
Quantity:		
Ba	Outside drawer width	
La	Outside drawer length	
Net price (€) per piece		
Date / Time of delivery		