



Roller Shutter Configurator

Request:

Order:

Date: _____

Target Date: _____

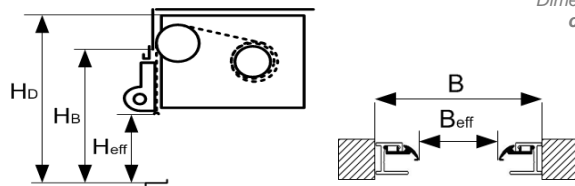
Company Name: _____

Project: _____

These dimensions are **always required** (you can add a drawing)

These dimensions can be specified **additionally**

Dimensions required for **certain installation situations**




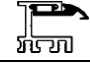


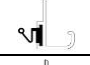
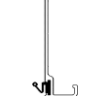
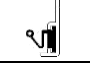

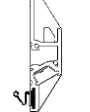
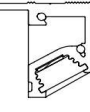








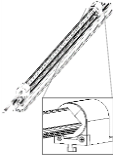
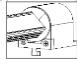

Please specify quantity and dimensions [mm] of your shutters:				
	Shutter No. 1	Shutter No. 2	Shutter No. 3	Shutter No. 4
Quantity:				
B	Width of opening BEFORE installation			
Hd	Total height up to the upper edge of roller shutter system			
Beff	Effective width of opening AFTER installation			
Hb	Height up to the lower edge of front cover			
Heff	Effective height of opening after installation			
D	Distance from axis of deflection to spring roller			
E	Length of horizontal guides at the top			
F	Length of vertical guides in the back			
	Desired color (powder coating) e.g. RAL			
kg	weight of shutter profile = 9kg/m ² without end profile			

S Standard
O Option

Choose the required **options** or indicate specific dimensions

Our roller blind variants				Our standard	Design of your desired roller blinds (if there are no details, we will assume the standard):				
1	Shutter profile	1.1	Aluminium shutter profile with silver anodized finish (E6/EV1 quality), with joint seal, profile height 35mm, thickness 8mm	S	<input type="checkbox"/>	<input type="checkbox"/>	<input type="checkbox"/>	<input type="checkbox"/>	
2	Construction / Winding	2.1	MODUL (ready-to-install casing with pre-tensioned spring roller, pre-rolled curtain and integrated deflection rollers). Two different sizes: MODUL and miniMODUL (for shutters smaller than HD 1200mm)	S	Standard dimensions: with $H_D > 1200$: MODUL 255 x 200 x B, with $H_D \leq 1200$: miniMODUL 247 x 145 x B	Standard width: <input type="checkbox"/> Specific: mm	Standard width: <input type="checkbox"/> Specific: mm	Standard width: <input type="checkbox"/> Specific: mm	Standard width: <input type="checkbox"/> Specific: mm
		2.2	Spring roller only (w/o Modul), incl. side mounting plates	O	Standard width: B	Standard width: <input type="checkbox"/> Specific: mm	Standard width: <input type="checkbox"/> Specific: mm	Standard width: <input type="checkbox"/> Specific: mm	Standard width: <input type="checkbox"/> Specific: mm
		2.3	MODUL with electric tubular motor 12V, 24V or 230V, incl. steel weight in terminal profile, optional EMC emergency manual control (with crank control)	O	Width of modul is B+60 (30mm on both sides) because of crank gearing and emergency break	Voltage 230V: <input type="checkbox"/>	Voltage 230V: <input type="checkbox"/>	Voltage 230V: <input type="checkbox"/>	Voltage 230V: <input type="checkbox"/>
		2.4	Shaft only (w/o MODUL) electric tubular motor, rest same as 2.3	O		Voltage 230V: <input type="checkbox"/>	Voltage 230V: <input type="checkbox"/>	Voltage 230V: <input type="checkbox"/>	Voltage 230V: <input type="checkbox"/>
		2.9	Without winding (e. g. for sliding under roof construction)	O	Recommended: B x Hd = max. 0,50 m ²	<input type="checkbox"/>	<input type="checkbox"/>	<input type="checkbox"/>	<input type="checkbox"/>
3	Redirection	3.1	Deflection Rollers, rubberized, at left and right side, D=80mm (minimizes friction)	S	Included with MODUL 2.1 and 2.3	<input type="checkbox"/>	<input type="checkbox"/>	<input type="checkbox"/>	<input type="checkbox"/>
		3.2	Radius bends at left and right side, R=39mm, compatible with guide rail type F001 (5.2), F1F4 (5.3), the parts can be modified for other rail types	O	Recommendation: B x H = max. 0,50m ²	2 pieces: <input type="checkbox"/> 4 pieces: <input type="checkbox"/>	2 pieces: <input type="checkbox"/> 4 pieces: <input type="checkbox"/>	2 pieces: <input type="checkbox"/> 4 pieces: <input type="checkbox"/>	2 pieces: <input type="checkbox"/> 4 pieces: <input type="checkbox"/>
		3.3	Deviating shaft	O	Standard if B > 2000mm or if shutter weight higher then 34,7kg	<input type="checkbox"/>	<input type="checkbox"/>	<input type="checkbox"/>	<input type="checkbox"/>
		3.4	support bracket	O	Standard if B < 2000mm and the shutter weight higher then 27,2kg	<input type="checkbox"/>	<input type="checkbox"/>	<input type="checkbox"/>	<input type="checkbox"/>
		3.9	No redirection (e. g. with direct winding on spring roller)	O		<input type="checkbox"/>	<input type="checkbox"/>	<input type="checkbox"/>	<input type="checkbox"/>

4	End stop upper position	4.1	Outside end stop (plastic hooks for bar lock handle, mounted left and right on guide rail same as used for closing position), additional hooks can be used for middle positions		S	Standard are two pieces (left and right) for the top end position	Standard 2 pieces: <input type="checkbox"/> Specific quantity:	Standard 2 pieces: <input type="checkbox"/> Specific quantity:	Standard 2 pieces: <input type="checkbox"/> Specific quantity:	Standard 2 pieces: <input type="checkbox"/> Specific quantity:
		4.2	Concealed end stop on the inside (integrated into MODUL left and right, with rubber buffers)		O	only with MODUL, not with miniMODUL	<input type="checkbox"/>	<input type="checkbox"/>	<input type="checkbox"/>	<input type="checkbox"/>
		4.9	Without end stop		O		<input type="checkbox"/>	<input type="checkbox"/>	<input type="checkbox"/>	<input type="checkbox"/>
5	Guide rails	5.1	Guide rail profile type F003 (replaces F002), overlapping mounting, with run-on radius, with rubber seal, mounting slots for magnetic sensor, LED-lighting and mounting kit		S	Standard length: HD - 50 mm, Standard with run-on radius at the top and with installation-ready countersunk holes (see 5.8)	Standard length: <input type="checkbox"/> Specific: mm	Standard length: <input type="checkbox"/> Specific: mm	Standard length: <input type="checkbox"/> Specific: mm	Standard length: <input type="checkbox"/> Specific: mm
		5.2	Guide rail profile type F001 (replaces F1F1), inside mounting, with run-on radius, with rubber seal		O		Standard length: <input type="checkbox"/> Specific: mm	Standard length: <input type="checkbox"/> Specific: mm	Standard length: <input type="checkbox"/> Specific: mm	Standard length: <input type="checkbox"/> Specific: mm
		5.3	Additional guide rail type F1F4 used for horizontal guidance at the top and vertical guidance at the back		O	Standard length: E and F, with countersunk holes	Standard length: <input type="checkbox"/> Specific: mm	Standard length: <input type="checkbox"/> Specific: mm	Standard length: <input type="checkbox"/> Specific: mm	Standard length: <input type="checkbox"/> Specific: mm
		5.5	Guide rail profile type 11b, plastic slide rails on 3 sides for higher actuation frequencies and less wear and tear, with run-on radius, mounting only with M4 cylindrical screws		O	Standard length: HD - 50 mm, Standard with run-on radius at the top and with installation-ready countersunk holes (see 5.8)	Standard length: <input type="checkbox"/> Specific: mm	Standard length: <input type="checkbox"/> Specific: mm	Standard length: <input type="checkbox"/> Specific: mm	Standard length: <input type="checkbox"/> Specific: mm
		5.8	Countersunk holes for countersunk screws, ready for mounting		S	Standard size: 90° Countersunk hole suitable for M5 countersunk screw	4mm (Standard 5.5) <input type="checkbox"/> 5mm (Standard 5.1-5.4) <input type="checkbox"/> 6mm <input type="checkbox"/> without drillings <input type="checkbox"/>	4mm (Standard 5.5) <input type="checkbox"/> 5mm (Standard 5.1-5.4) <input type="checkbox"/> 6mm <input type="checkbox"/> without drillings <input type="checkbox"/>	4mm (Standard 5.5) <input type="checkbox"/> 5mm (Standard 5.1-5.4) <input type="checkbox"/> 6mm <input type="checkbox"/> without drillings <input type="checkbox"/>	4mm (Standard 5.5) <input type="checkbox"/> 5mm (Standard 5.1-5.4) <input type="checkbox"/> 6mm <input type="checkbox"/> without drillings <input type="checkbox"/>
6	Rain gutter	6.2	Rain gutter type D001, for glue mounting, with rubber lip and plastic end caps		O	Standard length: B + 100 mm	Standard length: <input type="checkbox"/> Specific: mm	Standard length: <input type="checkbox"/> Specific: mm	Standard length: <input type="checkbox"/> Specific: mm	Standard length: <input type="checkbox"/> Specific: mm
		6.3	Rain gutter type D006, acts as a one-piece solution as reinforced front cover + rain gutter + rubber lip, height 112mm		S		Standard length: <input type="checkbox"/> Specific: mm	Standard length: <input type="checkbox"/> Specific: mm	Standard length: <input type="checkbox"/> Specific: mm	Standard length: <input type="checkbox"/> Specific: mm
		6.4	Top profile type D004 (F1D1), flat outline without rain gutter, with rubber lip				Standard length: <input type="checkbox"/> Specific: mm	Standard length: <input type="checkbox"/> Specific: mm	Standard length: <input type="checkbox"/> Specific: mm	Standard length: <input type="checkbox"/> Specific: mm
		6.5	Top seal type DPP, Silicone P-profile attached to one of the shutter profiles, seal between shutter surface and front cover, requires a flat counterface and a gap of 8 to 11mm		O	Standard: Attached to the first shutter profile above the front cover (HB)	mounted at standard position: <input type="checkbox"/> loose parts: <input type="checkbox"/>	mounted at standard position: <input type="checkbox"/> loose parts: <input type="checkbox"/>	mounted at standard position: <input type="checkbox"/> loose parts: <input type="checkbox"/>	mounted at standard position: <input type="checkbox"/> loose parts: <input type="checkbox"/>
		6.6	Aluminium Profile Type D002 with integrated LED periphery lighting, height 85mm, depth 22mm, Splash-proof and tested to withstand high-pressure cleaners, steady illuminations of the nearby surroundings of the vehicle, maximum length 5300mm		O	Standard length B+30, illuminated length min.100mm shorter than profile. Anodized alu end caps. Profile can be ordered with additional length to be shortened during installation	Voltage:12V <input type="checkbox"/> 24V <input type="checkbox"/> Length Alu:mm Length LED:mm Length cable:mm Cable: left <input type="checkbox"/> right <input type="checkbox"/> Seal: yes <input type="checkbox"/> no <input type="checkbox"/>	Voltage:12V <input type="checkbox"/> 24V <input type="checkbox"/> Length Alu:mm Length LED:mm Length cable:mm Cable: left <input type="checkbox"/> right <input type="checkbox"/> Seal: yes <input type="checkbox"/> no <input type="checkbox"/>	Voltage:12V <input type="checkbox"/> 24V <input type="checkbox"/> Length Alu:mm Length LED:mm Length cable:mm Cable: left <input type="checkbox"/> right <input type="checkbox"/> Seal: yes <input type="checkbox"/> no <input type="checkbox"/>	Voltage:12V <input type="checkbox"/> 24V <input type="checkbox"/> Length Alu:mm Length LED:mm Length cable:mm Cable: left <input type="checkbox"/> right <input type="checkbox"/> Seal: yes <input type="checkbox"/> no <input type="checkbox"/>
		6.7	Aluminium Profile Type D003 with integrated LED periphery lighting, height 35mm, depth 40mm, Splash-proof and tested to withstand high-pressure cleaners, steady illuminations of the nearby surroundings of the vehicle, maximum length 5200mm		O	Standard length B+30, illuminated length min.100mm shorter than profile. Anodized alu end caps. Profile can be ordered with additional length to be shortened during installation	Voltage:12V <input type="checkbox"/> 24V <input type="checkbox"/> Length Alu:mm Length LED:mm Length cable:mm Cable: left <input type="checkbox"/> right <input type="checkbox"/>	Voltage:12V <input type="checkbox"/> 24V <input type="checkbox"/> Length Alu:mm Length LED:mm Length cable:mm Cable: left <input type="checkbox"/> right <input type="checkbox"/>	Voltage:12V <input type="checkbox"/> 24V <input type="checkbox"/> Length Alu:mm Length LED:mm Length cable:mm Cable: left <input type="checkbox"/> right <input type="checkbox"/>	Voltage:12V <input type="checkbox"/> 24V <input type="checkbox"/> Length Alu:mm Length LED:mm Length cable:mm Cable: left <input type="checkbox"/> right <input type="checkbox"/>
		6.9	Without rain gutter		O		<input type="checkbox"/>	<input type="checkbox"/>	<input type="checkbox"/>	<input type="checkbox"/>

7	Sill	7.1	Sill type F1S, for screw or glue mounting, depth 40mm		S	Standard length: B + 50 mm	Standard length: <input type="checkbox"/> Specific: mm	Standard length: <input type="checkbox"/> Specific: mm	Standard length: <input type="checkbox"/> Specific: mm	Standard length: <input type="checkbox"/> Specific: mm
		7.9	Without sill		O		<input type="checkbox"/>	<input type="checkbox"/>	<input type="checkbox"/>	<input type="checkbox"/>
8	Closing mechanism	8.1	Bar lock, lockable with key, cover for keylock		S	Standard: identical keys 1 lock up to 1500mm width 2 locks from 1501mm width	identical keys: <input type="checkbox"/> different keys: <input type="checkbox"/> without lock: <input type="checkbox"/>	identical keys: <input type="checkbox"/> different keys: <input type="checkbox"/> without lock: <input type="checkbox"/>	identical keys: <input type="checkbox"/> different keys: <input type="checkbox"/> without lock: <input type="checkbox"/>	identical keys: <input type="checkbox"/> different keys: <input type="checkbox"/> without lock: <input type="checkbox"/>
		8.4	Electric central lock, 12 or 24V, Bar lock from outside, manual emergency operation with key (not combinable with 5.5!)		O	one-sided with B<=600mm on both sides with B>600mm	12V <input type="checkbox"/> 24V <input type="checkbox"/>	12V <input type="checkbox"/> 24V <input type="checkbox"/>	12V <input type="checkbox"/> 24V <input type="checkbox"/>	12V <input type="checkbox"/> 24V <input type="checkbox"/>
		8.5	Angled reinforcing profile, additional reinforcement of wide roller shutters, also applicable for easy retrofitting of old shutters with a new barlock		O	Standard: with B=2200mm or wider	<input type="checkbox"/>	<input type="checkbox"/>	<input type="checkbox"/>	<input type="checkbox"/>
		8.9	Without locking (e. g. own locking system or electric motor)		O		<input type="checkbox"/>	<input type="checkbox"/>	<input type="checkbox"/>	<input type="checkbox"/>
9	Magnet-sensor	9.1	Magnet (integrated into 3rd shutter profile left and right, suitable for sensor on guide rail)		S		<input type="checkbox"/>	<input type="checkbox"/>	<input type="checkbox"/>	<input type="checkbox"/>
		9.2	Magnet + magnetic sensor ifm-MK5156 (3-wire AMR Cell, normally closed), fits into T-slot of guide rails		O	10-30V, current rating 100mA, typical application: connection to	<input type="checkbox"/>	<input type="checkbox"/>	<input type="checkbox"/>	<input type="checkbox"/>
		9.3	Magnet + magnetic sensor ifm-MK0100 (2-wire reed contact, normally open), fits into T-slot of guide rails		O	PLC-control unit / small relay	<input type="checkbox"/>	<input type="checkbox"/>	<input type="checkbox"/>	<input type="checkbox"/>
10	Mounting kit	10.1	Mounting kit incl. screws, connects MODUL (2.1) to the guide rails, compatible with T-slot		O	not combinable with 5.5	<input type="checkbox"/>	<input type="checkbox"/>	<input type="checkbox"/>	<input type="checkbox"/>
11	Other	11.1	Adhesive Reflectors for folding hinges, Amber (vehicle side) or Red (rear end)		S	Standard color: Amber	Amber: <input type="checkbox"/> Red: <input type="checkbox"/> Without Reflector: <input type="checkbox"/>	Amber: <input type="checkbox"/> Red: <input type="checkbox"/> Without Reflector: <input type="checkbox"/>	Amber: <input type="checkbox"/> Red: <input type="checkbox"/> Without Reflector: <input type="checkbox"/>	Amber: <input type="checkbox"/> Red: <input type="checkbox"/> Without Reflector: <input type="checkbox"/>
		11.3	LED-lighting for glare-free and steady illumination of equipment rooms, protection class min. IP67, protection of the electronics during oscillation of input voltage, overvoltage and voltage reversal, automotive cable length 1000mm, different mounting brackets available		O	Cross section 18x11mm, Standard length from stock or individual length on request	12V <input type="checkbox"/> 24V <input type="checkbox"/> 250mm <input type="checkbox"/> 450mm <input type="checkbox"/> 1050mm <input type="checkbox"/> Pieces per shutter:	12V <input type="checkbox"/> 24V <input type="checkbox"/> 250mm <input type="checkbox"/> 450mm <input type="checkbox"/> 1050mm <input type="checkbox"/> Pieces per shutter:	12V <input type="checkbox"/> 24V <input type="checkbox"/> 250mm <input type="checkbox"/> 450mm <input type="checkbox"/> 1050mm <input type="checkbox"/> Pieces per shutter:	12V <input type="checkbox"/> 24V <input type="checkbox"/> 250mm <input type="checkbox"/> 450mm <input type="checkbox"/> 1050mm <input type="checkbox"/> Pieces per shutter:
		11.4	Mounting bracket for LED-Strip (11.3) made of PA6, adjustable tilt angle, integrated strain relief, incl. adaptors for guide rails and profile systems like Item®, Bosch®, Maytec®		O	2 pieces (top and bottom end) per light standard incl. screws	With bracket (Stand.): <input type="checkbox"/> w/o bracket: <input type="checkbox"/>	With bracket (Stand.): <input type="checkbox"/> w/o bracket: <input type="checkbox"/>	With bracket (Stand.): <input type="checkbox"/> w/o bracket: <input type="checkbox"/>	With bracket (Stand.): <input type="checkbox"/> w/o bracket: <input type="checkbox"/>
		11.5	Stretch pulling strap, for easier handling of high shutters, fixing on terminal profile and guide rail		O	Standard length: 25x1400mm	black <input type="checkbox"/> red <input type="checkbox"/>	black <input type="checkbox"/> red <input type="checkbox"/>	black <input type="checkbox"/> red <input type="checkbox"/>	black <input type="checkbox"/> red <input type="checkbox"/>
			Tilttable aluminium drawer (Standard for fire-trucks), made to measure, complete set with guide rails				Please send us info material about aluminium drawers: <input type="checkbox"/>			

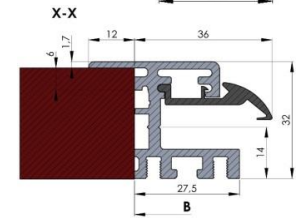
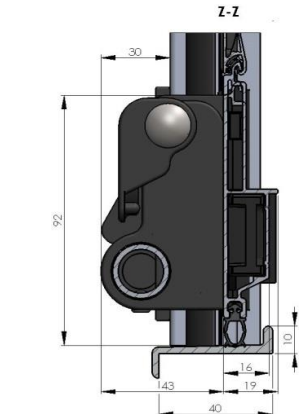
Date 220419

Net (Euro) price per piece:

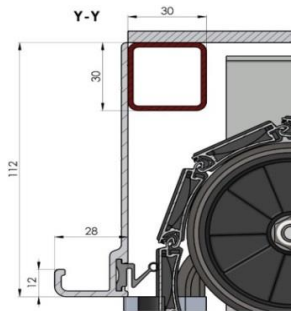
Time of delivery:



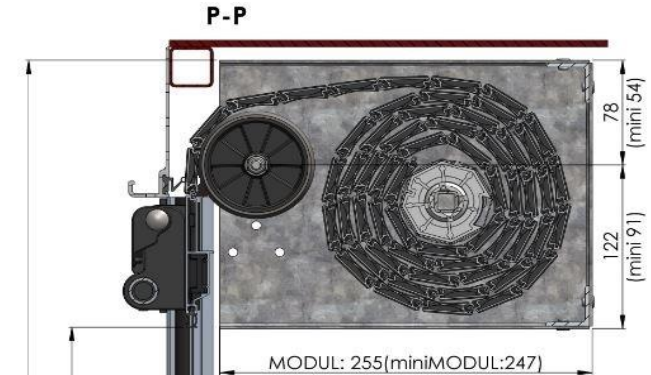
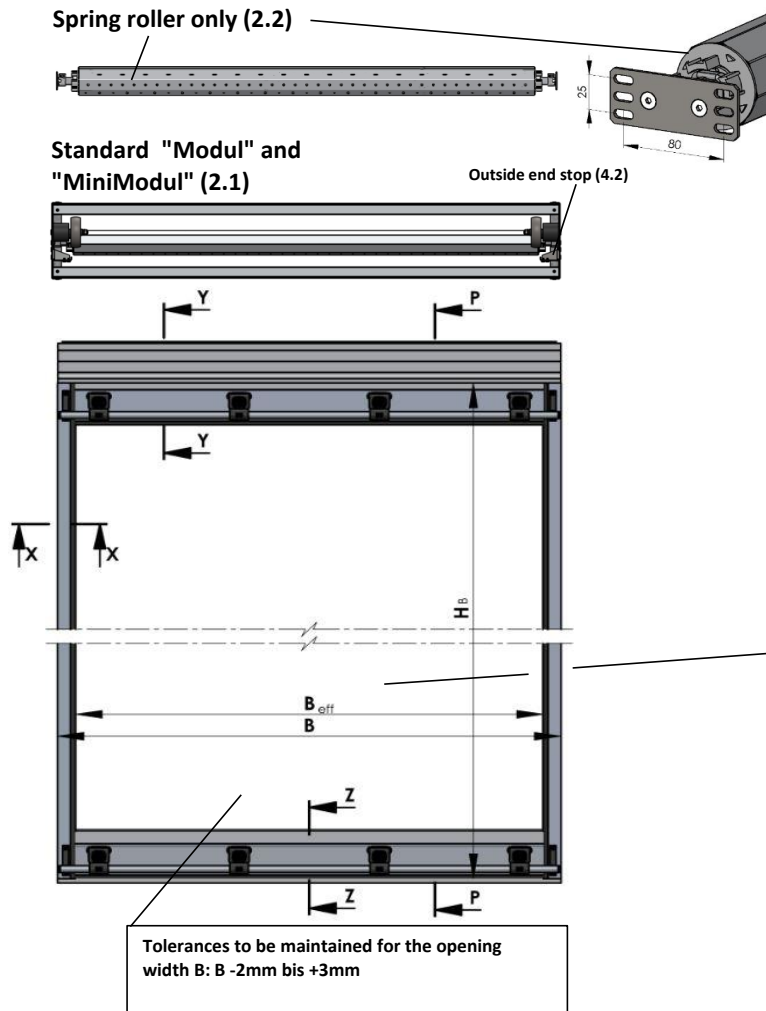
Rollo Shutter Configurator / technical Drawings



5.1 Guide rail F003
(further variants in the profile catalog p.6)



6.3 Rain gutter D006
(further variants in the profile catalog p.6)



Contact point of the rubber lip must be at least 20mm below the deflection axis!
Failure to do so may cause lip defect!

Recommendation for maximum width: B < 2.5m
Maximum heights:
HD < 2.3m (at 2.1), HD < 2.5m (at 2.2)

Effectively usable loading opening:
Width B - (2 x 36)

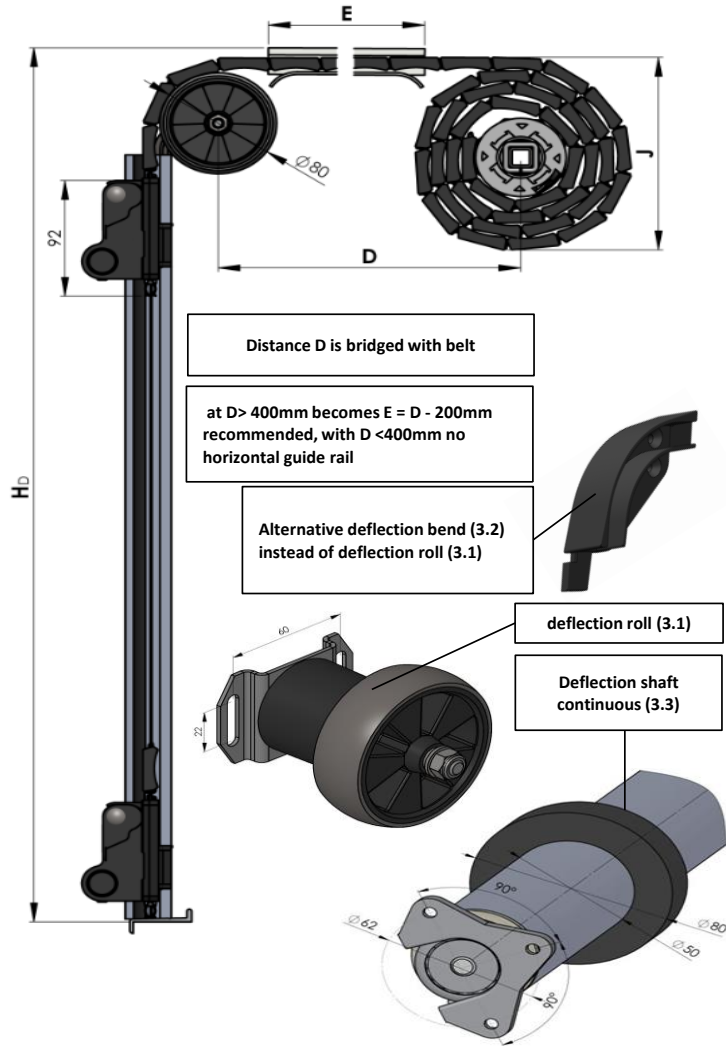
Maximum height at outer stop (4.1):
 $H_{eff} = H_B - 20 - 92 - 10$

Maximum height at outer stop (4.1)
Approximation formula for assembly constellation as in section P-P:
 $H_{eff} = H_D - 200 - 30$

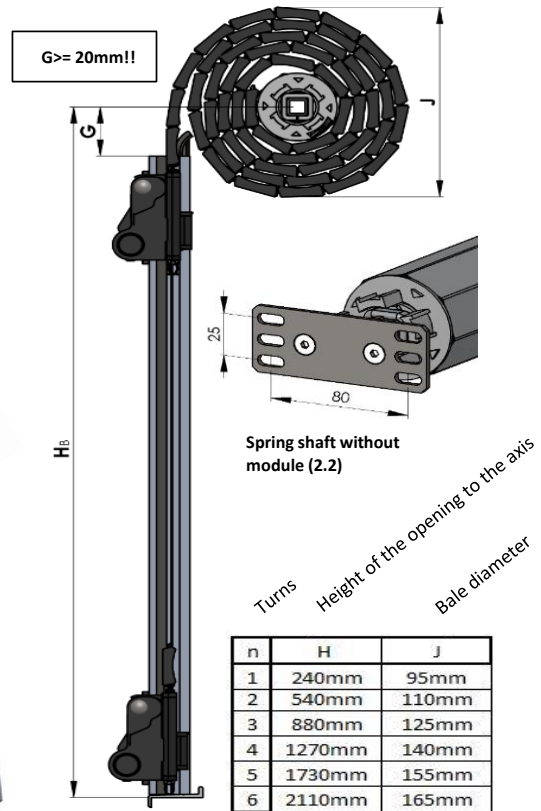
Height at inner stop (4.2):
 $H_{eff} = H_D - 214 - 10$

Rollo Shutter Configurator / technical Drawings

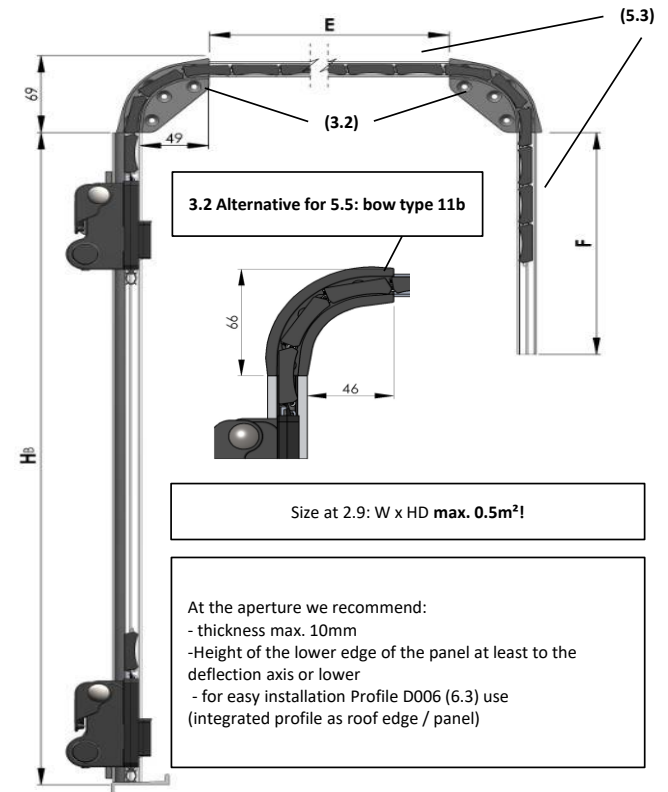
Rearward offset spring shaft:



Spring shaft without deflection (3.9):



Inset "under roof" (2.9):



Guide rails:

<p>5.1 (Standard profile)</p>	<p>F003 (replacement for F002)</p> <ul style="list-style-type: none"> - Nose is used for easy alignment and covered mounting joint / corner radius - Uniform groove system on the back for easy mounting of mounting set, magnetic switches, LED lights, cable routing, etc. - incl. curved start up - Splash and dust protection by sliding seal 	<p>5.2</p>	<p>F001 (replacement for F1F1)</p> <ul style="list-style-type: none"> - Mounting depth variable - Can be combined with almost any aluminum profile system - uniform groove system on the rear side (description see F003) - incl. curved start up - Splash and dust protection by sliding seal
<p>5.5</p>	<p>11b</p> <ul style="list-style-type: none"> - best sliding properties due to plastic sliding strips from 3 sides - compact width (30 instead of 36) - Mounting depth variable - incl. curved start up - Can be combined with almost any aluminum profile system - No waterproofing! 		
<p>Rain gutter / seal at the top:</p>			
<p>6.2</p>	<p>D001</p> <ul style="list-style-type: none"> - Aluminum gutter with flat outer surface - integrated rubber sealing lip with wiping and sealing function - Ideal for gluing - Plastic end caps for clean completion 		
<p>6.3 (Standard profile)</p>	<p>D006</p> <ul style="list-style-type: none"> - One-piece aluminum cover with gutter and integrated rubber sealing lip (identical to 6.1 and 6.2) - No separate thin panel above more necessary - Ideal for sandwich exterior walls from 20mm thickness 	<p>6.4</p>	<p>D004</p> <ul style="list-style-type: none"> - like profile type D001, but without rain gutter - integrated rubber sealing lip with wiping and sealing function - ideal for indoor applications
<p>6.5</p>	<p>DPP</p> <ul style="list-style-type: none"> - Silicone P-profile is clamped onto a roller shutter slat and rolled up when opened - Seals against the smooth inner surface of the panel - Very good seal - Silently there is no friction - Seals gap from 8 to 12mm - Attention, type DPP does not wipe water from the roller shutter! 	<p>6.6</p>	<p>D002</p> <ul style="list-style-type: none"> - Integrated LED ambient lighting - Glare-free homogeneous illumination - LED technology sealed by polyurethane full encapsulation - High pressure cleaner suitable - Total length up to 5300mm in one piece - Profile can be used as a classic rain strip or separately as a surface light - Integrated rubber sealing lip - Profile ends can be shortened later
<p>6.7</p>	<p>D003</p> <ul style="list-style-type: none"> - Integrated LED ambient lighting - Glare-free homogeneous illumination - LED technology sealed by polyurethane full encapsulation - High pressure cleaner suitable - total length up to 5200mm in one piece - veneering of the upper construction edge - small dimensions allow full utilization of the adjoining surfaces - profiles can be shortened afterwards 		

Date 220419